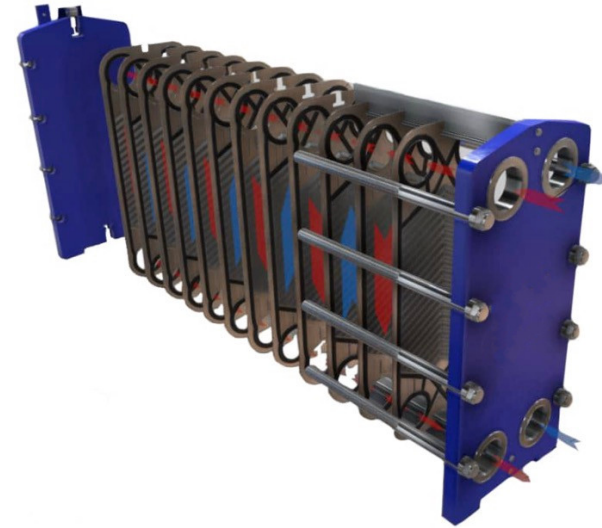




ZBT20P



Custom Heat Exchangers

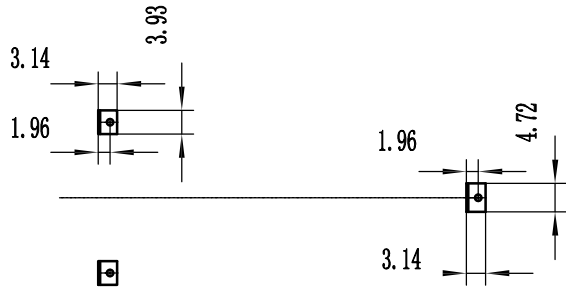
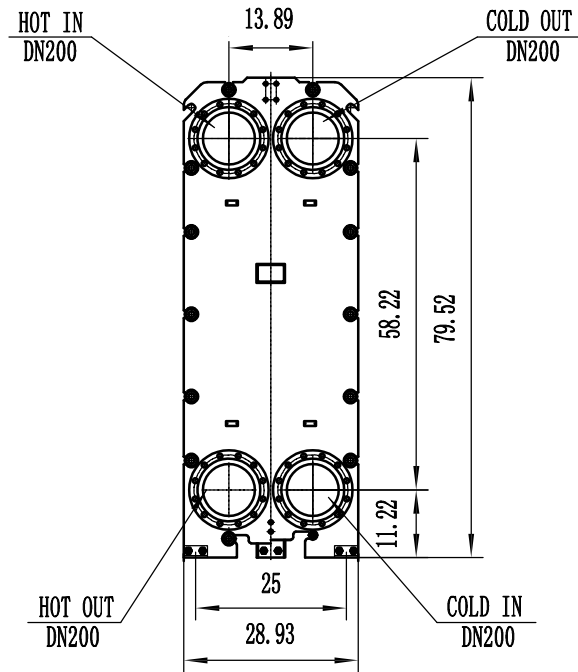
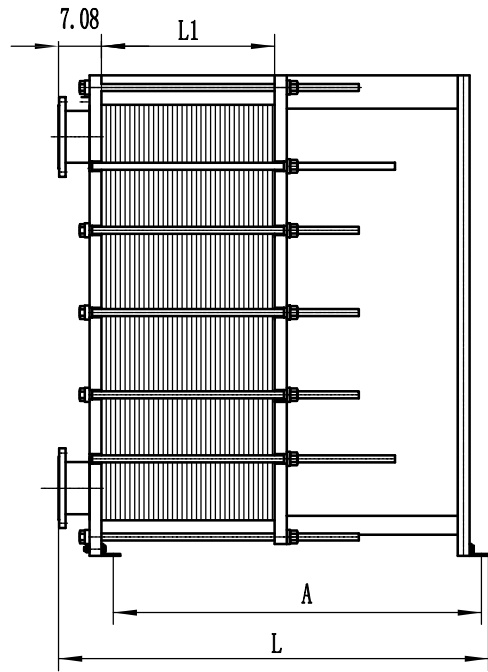
Customized gasketed plat-and-frame heat exchangers for efficiency and reliability

Benefits

- Optimal, high-energy efficiency for lowered operating costs
- Flexible configuration with numerous plate and gasket options for high heat recovery
- Hassle-free installation and configuration for heat transfer areas
- High serviceability and easy-to-open design for cleaning and inspection
- Peace of mind with access to Alfa Laval's global service network

Applications

- Biotech and Pharmaceuticals
- Chemicals
- Energy and Utilities
- Food and Beverage
- HVAC
- Machinery
- Marine and Transportation
- Mining, Minerals and Pigment
- Refrigeration
- Semiconductor and Electronics
- Steel
- Water and Waste treatment



Notes: 1. PLATE HEAT EXCHANGERS SHALL BE DESIGNED, MANUFACTURED, AND ACCEPTED IN ACCORDANCE WITH NB/T47004-2017.

2. FLANGES ACCORDING TO JN/T81-2015.

| HEAT EXCHANGE AREA | 50 | 60 | 70 | 80 | 90 | 100 | 110 | 120 | 130 | 140 | 150 | 160 | 170 |
|-------------------------|-------|-------|-------|-------|-------|-------|-------|-------|-------|-------|-------|-------|-------|
| NUMBER OF PLATES (Np) | 57 | 67 | 79 | 89 | 101 | 113 | 123 | 135 | 147 | 157 | 169 | 179 | 191 |
| L (in) | 39.56 | 42.32 | 45.07 | 47.83 | 50.59 | 53.34 | 56.11 | 58.85 | 61.61 | 64.37 | 67.12 | 69.88 | 72.63 |
| L1 (in) | 7.08 | 8.26 | 9.84 | 11.02 | 12.59 | 13.97 | 15.23 | 16.73 | 18.22 | 19.48 | 19.68 | 22.16 | 23.66 |
| A (in) | 29.33 | 32.08 | 34.84 | 37.59 | 40.35 | 43.11 | 45.86 | 48.62 | 51.37 | 54.13 | 56.88 | 59.64 | 62.40 |
| WEIGHT (Kg) | 1435 | 1480 | 1535 | 1580 | 1635 | 1685 | 1730 | 1785 | 1840 | 1885 | 1940 | 2030 | 2085 |

| HEAT EXCHANGE AREA | 180 | 190 | 200 | 210 | 220 | 230 | 240 | 250 |
|-------------------------|-------|-------|-------|-------|-------|-------|-------|-------|
| NUMBER OF PLATES (Np) | 203 | 213 | 225 | 235 | 247 | 259 | 269 | 281 |
| L (in) | 75.39 | 78.14 | 80.91 | 83.66 | 86.41 | 89.17 | 91.92 | 94.68 |
| L1 (in) | 25.19 | 26.37 | 27.95 | 29.13 | 30.71 | 32.08 | 33.46 | 34.84 |
| A (in) | 65.15 | 67.91 | 70.66 | 73.42 | 76.18 | 78.93 | 81.69 | 84.44 |
| WEIGHT (Kg) | 2145 | 2190 | 2245 | 2295 | 2350 | 2400 | 2450 | 2515 |

ZBT20P

| REV. | ITEM | DESIGNATION | SIGNATURE | DATE |
|-----------------|------|-------------|-------------------|------|
| | | | | |
| | | | | |
| | | | | |
| DESIGNED | | | STANDARDIZED APPR | |
| CHECKED | | | FINAL APPR | |
| APPROVED | | | APPROVAL | |
| TECHNICAL AUDIT | | | DATE | |

| | | |
|--------------|--------|-------|
| DRAWING REV. | WEIGHT | SCALE |
| | | |
| TOTAL SHEET | SHEET | OF |
| | | |