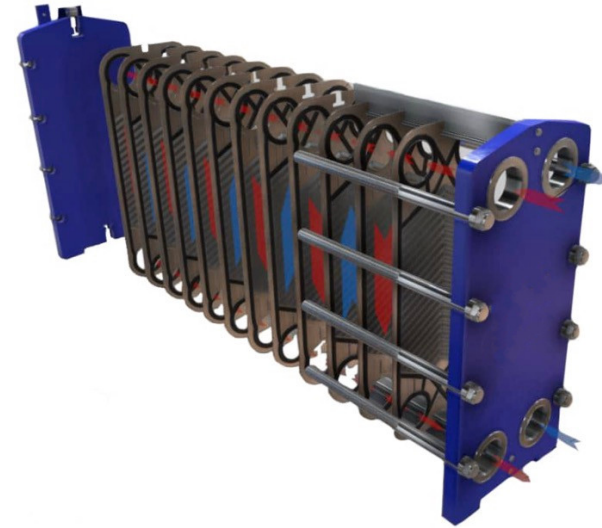




# ZBMB10A



## Custom Heat Exchangers

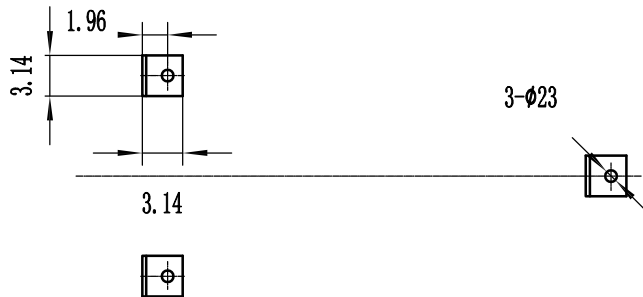
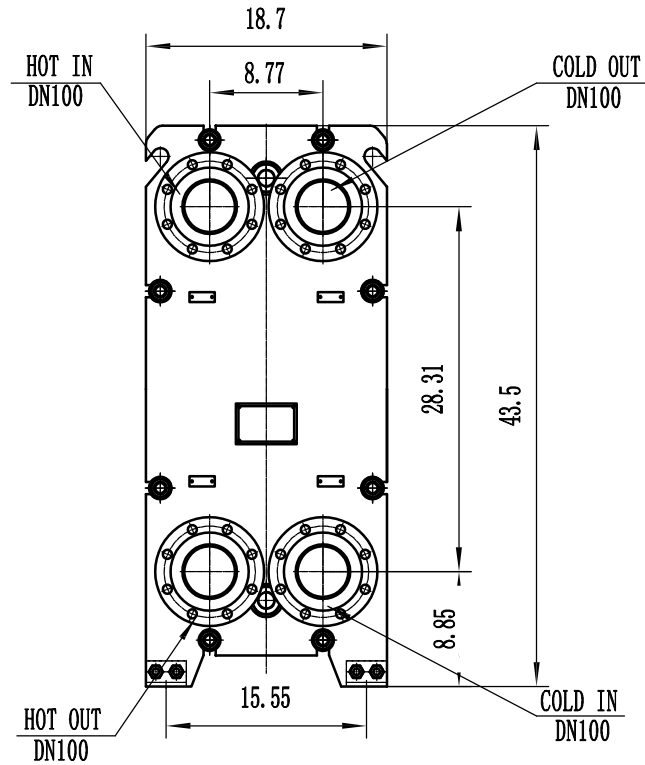
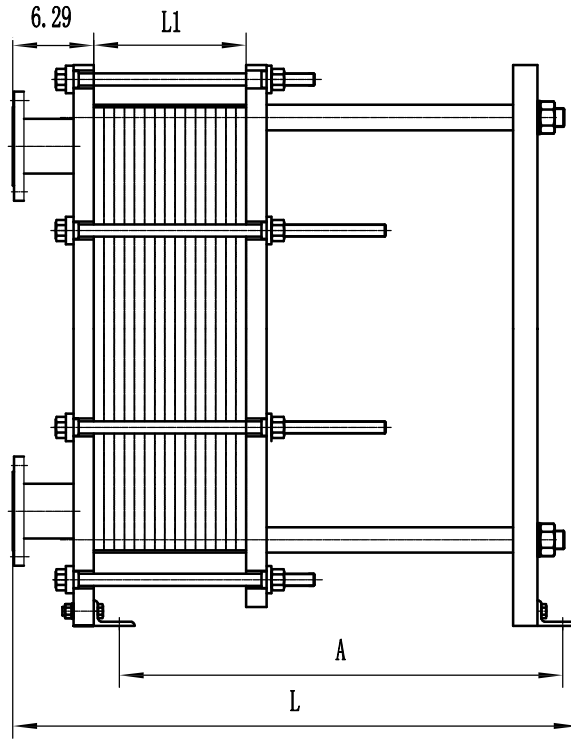
Customized gasketed plat-and-frame heat exchangers for efficiency and reliability

### Benefits

- Optimal, high-energy efficiency for lowered operating costs
- Flexible configuration with numerous plate and gasket options for high heat recovery
- Hassle-free installation and configuration for heat transfer areas
- High serviceability and easy-to-open design for cleaning and inspection
- Peace of mind with access to Alfa Laval's global service network

### Applications

- Biotech and Pharmaceuticals
- Chemicals
- Energy and Utilities
- Food and Beverage
- HVAC
- Machinery
- Marine and Transportation
- Mining, Minerals and Pigment
- Refrigeration
- Semiconductor and Electronics
- Steel
- Water and Waste treatment



Notes: 1. PLATE HEAT EXCHANGERS SHALL BE DESIGNED, MANUFACTURED, AND ACCEPTED IN ACCORDANCE WITH NB/T47004-2017.

2. FLANGES ACCORDING TO JN/T81-2015.

HEAT EXCHANGE AREA	6	8	10	13	15	18	20	25	30	35
NUMBER OF PLATES (Np)	23	31	39	51	57	69	77	97	115	135
L (in)	27.95	30.11	32.28	35.62	37.79	41.14	43.31	48.81	54.33	59.84
L <sub>1</sub> (in)	4.13	5.51	6.88	9.05	10.03	12.21	13.58	17.12	20.27	23.81
A (in)	18.51	20.66	22.83	26.18	28.34	31.69	33.85	39.37	44.88	50.39
WEIGHT (Kg)	320	335	350	370	380	400	420	450	485	515

				ZBMB10A			
REV.	ITEM	DESIGNATION	SIGNATURE	DATE			
DESIGNED		STANDARDIZED APPR			DRAWING REV.	WEIGHT	SCALE
CHECKED		FINAL APPR					
APPROVED		APPROVAL					
TECHNICAL ASSIST		DATE			TOTAL SHEET	SHEET	OF