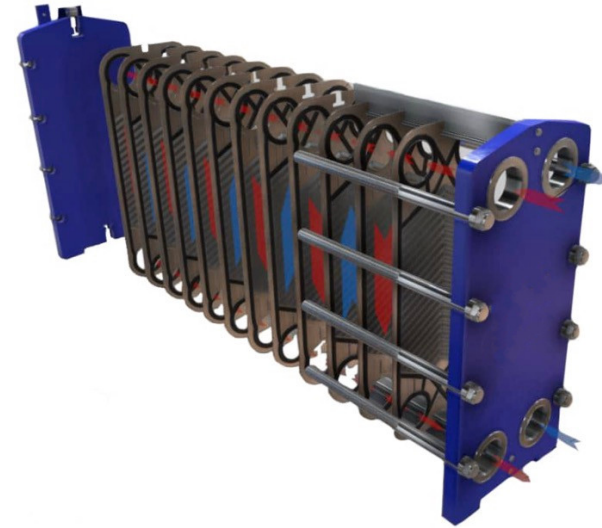




## ZBM35B



## Custom Heat Exchangers

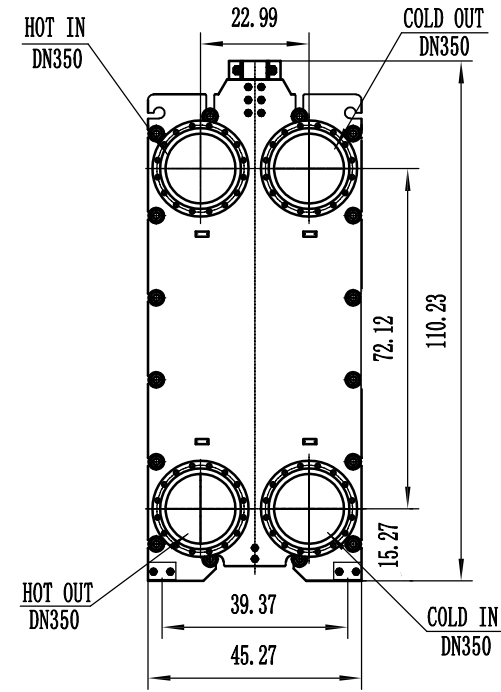
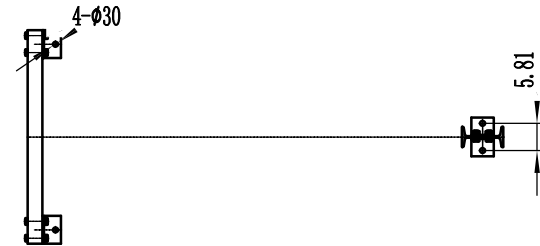
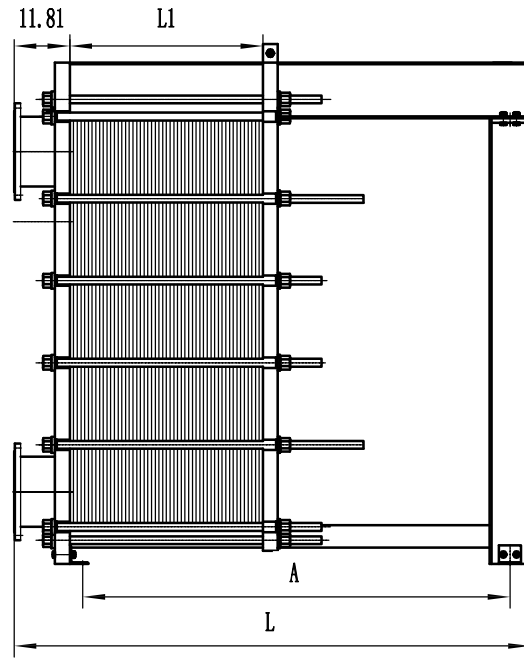
Customized gasketed plat-and-frame heat exchangers for efficiency and reliability

### Benefits

- Optimal, high-energy efficiency for lowered operating costs
- Flexible configuration with numerous plate and gasket options for high heat recovery
- Hassle-free installation and configuration for heat transfer areas
- High serviceability and easy-to-open design for cleaning and inspection
- Peace of mind with access to Alfa Laval's global service network

### Applications

- Biotech and Pharmaceuticals
- Chemicals
- Energy and Utilities
- Food and Beverage
- HVAC
- Machinery
- Marine and Transportation
- Mining, Minerals and Pigment
- Refrigeration
- Semiconductor and Electronics
- Steel
- Water and Waste treatment



Notes: 1. PLATE HEAT EXCHANGERS SHALL BE DESIGNED, MANUFACTURED, AND ACCEPTED IN ACCORDANCE WITH NB/T47004-2017.  
2. FLANGES ACCORDING TO JN/T81-2015.

HEAT EXCHANGE AREA	400	430	460	490	520	550	580	610	640	670	700	730	760	790	820	850	880	910
NUMBER OF PLATES (Np)	211	227	243	257	273	289	305	321	337	353	369	385	401	415	431	447	463	479
L (in)	33.85	36.41	38.77	40.94	43.50	46.06	48.62	51.18	53.74	56.29	58.85	61.41	63.97	66.14	68.70	71.25	73.81	76.37
L1 (in)	79.52	83.85	88.18	92.51	96.85	101.18	105.51	109.84	114.17	118.51	122.83	127.16	131.49	135.82	140.15	144.48	148.81	153.14
A (in)	98.42	102.75	107.08	111.41	115.74	120.07	124.41	128.74	133.07	137.41	141.73	146.06	150.39	154.72	159.05	163.38	167.71	172.04
WEIGHT (Kg)	6820	6980	7130	7280	7420	7580	7740	7890	7970	8290	8360	8520	8680	8820	8980	9130	9290	9450

HEAT EXCHANGE AREA	940	970	1000	1030	1060	1090	1120	1150	1180	1210	1240	1270	1300	1330	1360	1390	1420	1450
NUMBER OF PLATES (Np)	495	511	527	543	557	573	589	605	621	637	653	669	685	701	715	731	747	763
L (in)	78.93	81.49	84.05	86.61	88.77	91.33	93.89	96.45	99.01	101.57	104.13	106.69	109.25	111.81	113.97	116.53	119.09	121.65
L1 (in)	157.48	162.00	166.53	171.06	175.59	180.11	184.64	189.17	193.70	198.22	202.75	207.28	211.81	216.33	220.86	225.39	229.92	234.44
A (in)	176.37	180.91	185.43	189.96	194.48	199.01	203.54	208.07	212.59	217.12	221.65	226.18	230.71	235.23	239.76	244.29	248.81	253.34
WEIGHT (Kg)	9600	9760	9920	10080	10220	10380	10530	10690	10850	11010	11170	11320	11480	11640	11790	12340	12090	12250

				ZBM35B			
REV.	ITEM	DESIGNATION	SIGNATURE	DATE			
DESIGNED					DRAWING REV.	WEIGHT	SCALE
CHECKED							
APPROVED							
TECHNICAL MANAGER					TOTAL SHEET	SHEET	OF