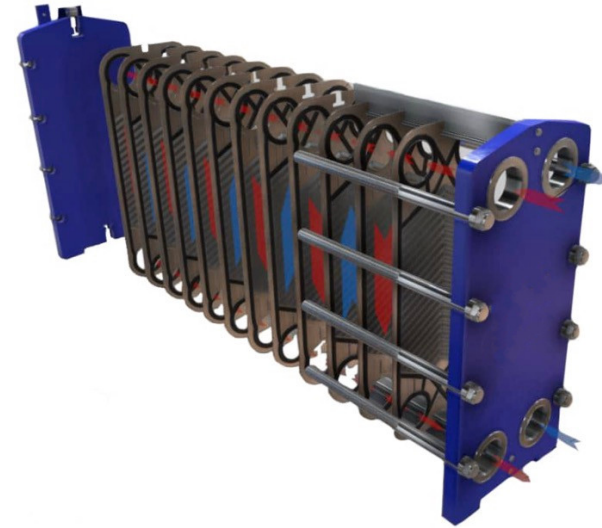




ZBM35A



Custom Heat Exchangers

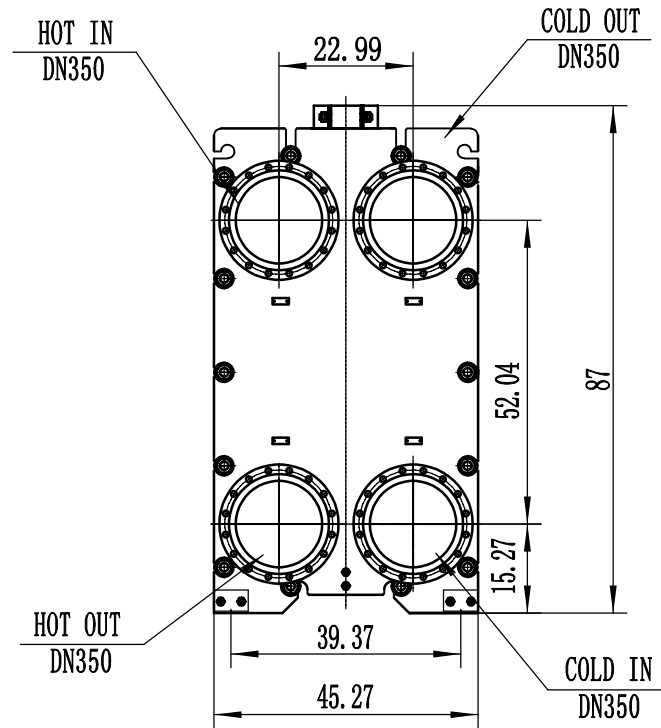
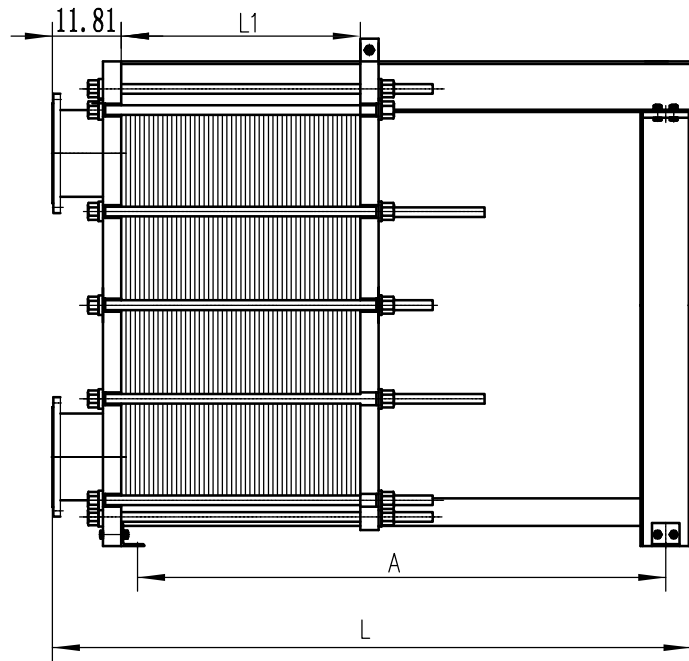
Customized gasketed plat-and-frame heat exchangers for efficiency and reliability

Benefits

- Optimal, high-energy efficiency for lowered operating costs
- Flexible configuration with numerous plate and gasket options for high heat recovery
- Hassle-free installation and configuration for heat transfer areas
- High serviceability and easy-to-open design for cleaning and inspection
- Peace of mind with access to Alfa Laval's global service network

Applications

- Biotech and Pharmaceuticals
- Chemicals
- Energy and Utilities
- Food and Beverage
- HVAC
- Machinery
- Marine and Transportation
- Mining, Minerals and Pigment
- Refrigeration
- Semiconductor and Electronics
- Steel
- Water and Waste treatment



Notes: 1. PLATE HEAT EXCHANGERS SHALL BE DESIGNED, MANUFACTURED, AND ACCEPTED IN ACCORDANCE WITH NB/T47004-2017.

2. FLANGES ACCORDING TO JN/T81-2015.

HEAT EXCHANGE AREA	100	120	140	160	180	200	220	240	260	280	300	320	340	360	380	400
NUMBER OF PLATES (Np)	77	93	107	123	139	153	169	185	201	215	231	247	261	277	293	307
L (in)	12.41	14.96	17.12	19.88	22.44	24.61	27.16	29.72	32.28	34.64	37.21	39.76	42.12	44.68	47.24	49.41
L1 (in)	40.94	45.21	49.61	53.93	58.26	62.59	66.92	71.25	75.59	79.92	84.25	88.58	92.91	97.24	101.57	105.91
A (in)	59.84	63.49	68.51	72.83	77.16	81.49	85.82	90.15	94.48	98.81	103.14	107.48	111.81	116.14	120.47	124.81
WEIGHT (Kg)	3540	3650	3750	3860	3970	4070	4180	4290	4400	4500	4610	4720	4820	4930	5040	5140

ZBM35A										
REV.	ITEM	DESCRIPTION	SIGNATURE	DATE						
DESIGNED			STANDARDIZED APPR.		DRAWING REV.	WEIGHT	SCALE			
CHECKED			FINAL APPR.							
APPROVED			APPROVAL							
TECHNICAL AID			DATE		TOTAL SHEET	SHEET	OF			